

## Coffee System

### Mira Traditional espresso machine, 1 group, 6.3 liter boiler

ITEM # \_\_\_\_\_

MODEL # \_\_\_\_\_

NAME # \_\_\_\_\_

SIS # \_\_\_\_\_

AIA # \_\_\_\_\_


**602500 (MIRAI)**

Traditional espresso machine, 1 group, 6,3 liter boiler, 4 programmable dosing program

### Short Form Specification

#### Item No.

The MIRA line takes on the challenge of offering a dynamic outline with a sleek and streamlined design combining Stainless steel, Plexiglass and chromed components, and a full operational potential in the semi-automatic professional machine category. Its technical features enable it to warrant consistently outstanding coffee quality throughout the day, while maintaining its reputation of quality and reliability that has resulting from a long-standing experience. Among its features, independent control boxes to control the volumetric commands, manual Steamglide lever to control the steam level horizontally and precisely via a ceramic cartridge, hot water dispenser with 2 programmable time-delay keys, steam dispenser with 1 programmable time-delay key

### Main Features

- Automatic cleaning cycle.
- The MIRA line offers a dynamic outline with a sleek and streamlined design combining Stainless steel, Plexiglass and chromed components.
- Its technical features enable it to warrant consistently outstanding coffee quality throughout the day, while maintaining its reputation of quality and reliability that has resulting from a long-standing experience. Among its features, independent control boxes to control the volumetric commands, manual Steamglide lever to control the steam level horizontally and precisely via a ceramic cartridge, hot water dispenser with 2 programmable time-delay keys, steam dispenser with 1 programmable time-delay key.
- 4 programmable dosing keys.
- Traditional espresso machine.

### Construction

- Stainless steel body.
- Manual Steamglide lever.
- 1 group - 6.3 liter boiler.
- Manual hot water outlet.

### Included Accessories

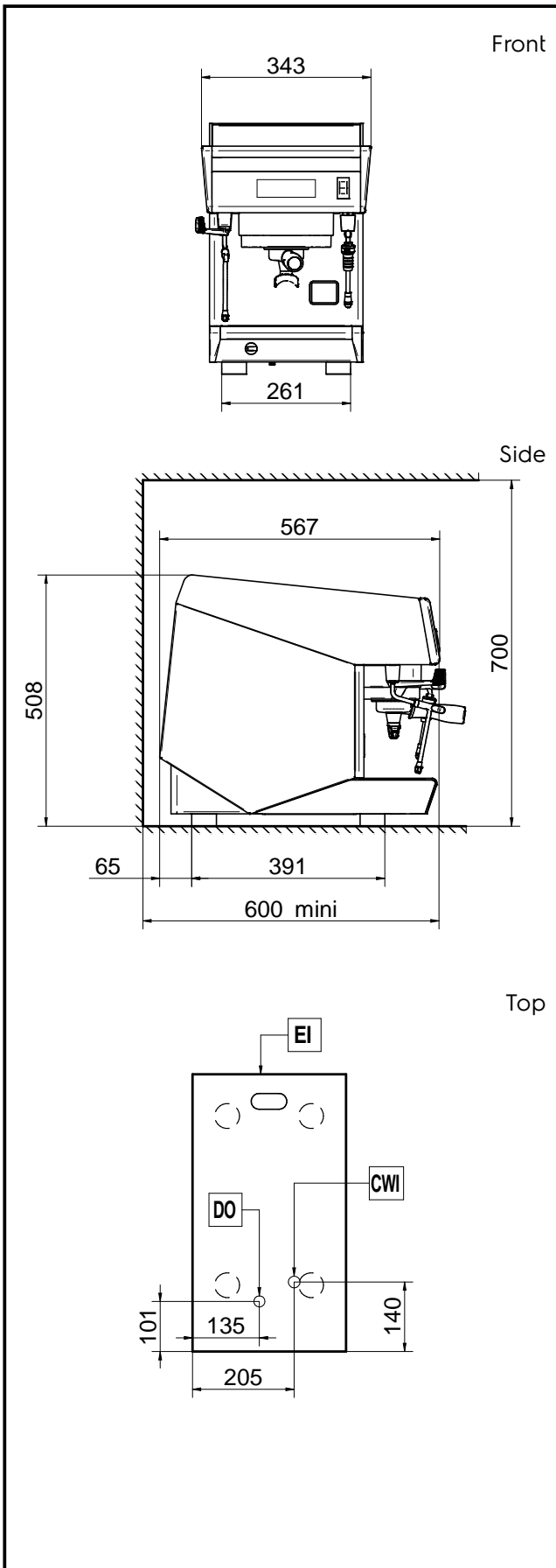
- 1 of Mira filter holder for one cup PNC 871002
- 1 of Mira filter holder for two cups PNC 871003

### Optional Accessories

- Doser Coffee Grinder, flat, 65mm PNC 602543
- Doser Coffee Grinder, flat, 75mm PNC 602544
- Grind-on-demand Coffee Grinder, flat, 75mm PNC 602546
- Steam outlet with adjustable flow PNC 871000
- Hot water outlet with adjustable flow PNC 871001
- Mira filter holder for one cup PNC 871002
- Mira filter holder for two cups PNC 871003
- Mira filter holder for three cups PNC 871004
- Cappuccinatore/foamer device with two positions for hot milk and for foam only for machines without Steamair PNC 871011
- Cappuccino system/auto foam device by air injection for traditional machines only for machines without Steamair PNC 871012
- Teflon steam wand only for machines without Steamair PNC 871013
- Side milk refrigerator 8 liter nominal capacity for up to 4 liter milk containers PNC 871014

APPROVAL: \_\_\_\_\_

- Side milk refrigerator 8 liter nominal capacity for up to 4 liter milk containers with digital display PNC 871015
- Stainless steel 57 mm tamper PNC 871016
- Filter for one cup, 12 gr PNC 871017
- Filter for two cups, 18 gr PNC 871018
- Stainless steel knock box drawer PNC 871019
- Raised feet kit PNC 871041



#### Electric

Supply voltage:	
602500 (MIRA1)	230 V/1N ph/50 Hz
Electrical power max.:	3 kW
Current consumption:	13 Amps
Plug type:	

#### Water:

Cold water temperature (min/max):	5 / 60 °C
-----------------------------------	-----------

#### Key Information:

External dimensions, Width:	343 mm
External dimensions, Depth:	570 mm
External dimensions, Height:	510 mm
Net weight:	41 kg
Shipping volume:	0.32 m <sup>3</sup>